

A Kalkitech Power System Group Case Study on Power System Studies for a Steel Plant in a Middle East Country

Client: A Multinational Company who is the Project Supplier

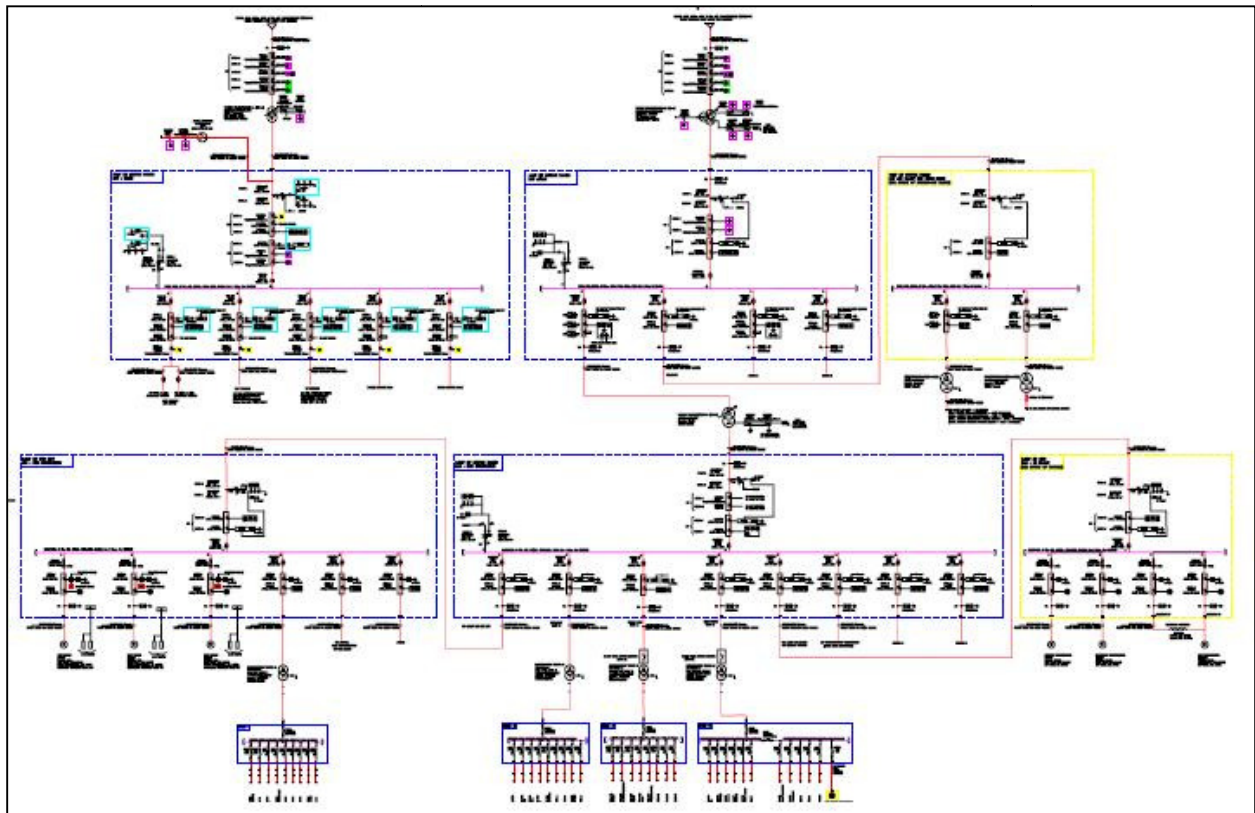
Scope of work handled by Kalkitech Power System Group:

Power system Studies including Load Flow Analysis, Short Circuit Analysis, Motor Starting Studies, Harmonic Analysis, Protection studies , Relay setting Calculations

Network Details:

Network was represented from 33 kV to last relay location at LV side.

Network Diagram is shown in the following figure



Software Details:

Kalkitech PowerApps software was used for the studies

System Load Details:

The system had an Electric Arc Furnace, A Ladle furnace, An SVC, 6.6 kV motors, Oxygen Plant, Several 415 volts switch boards supplying LT loads.

A Sample Time Current Characteristic Curve of Relay Coordination Study:

